

LONGAR™ TYPE 2 & TYPE 3

Baffle Filter Removal Tool



LONGAR™ TYPE 2 AND TYPE 3 BAFFLE FILTER REMOVAL TOOL FEATURES

- **Compact** - Designed for storage in mind, can either be placed on wall hook or cupboard storage.
- **Branding** - Laser Part marked with the option to have Company details and site address on tool.
- **Finish** - Anti-Scratch Pads help maintain the filter finish when removal and replacement.
- **Safety** - Powerful Magnets grip the filter in place ensuring it's safe to lower.
- **Comfort** - Foam grips on long 1550mm pole give extra grip and leverage to remove filters.
- **Strength** - One piece fixed lifting hooks giving rigidity.
- **Lightweight** - 1.6kg aluminium lifting tool makes this easy for everyone to operate.
- **Canopy adjustment** - the lifting plate has a 0° to 130° angle of adjustment to suit different canopy angles.
- **Integrated hanging hook** - Solid machined aluminium integrated hook.
- **Patent pending design.**

The Filter lifting tool is specially designed to minimise risk associated with lifting hot filters in and out of a Commercial Kitchen Canopy, for maintenance and cleaning. Built to last for demanding kitchen environments with LONGAR™ Type 2 & Type 3 Baffle Filters.

INSTRUCTIONS

1. Adjust lifting plate angle using cam lever (No.140 Dia 1) to suit the canopy housing angle.
2. Lift fork up to filter and place filter hooks (No.81 & 82 Dia 1) into the gap in between the baffle blades in filter making sure the tops sit inside the filter as per Diagram 2.
3. Tilt the lifting fork plate towards the filter with foam handles until you feel the magnets pull the filter towards the Lifting Fork to engage it with filter.
4. Lift filter/lifting tool upwards and out of canopy housing.
5. Carefully lower filter and then lift off and away filter from lifting fork.

For mounting filter back into canopy please carry out the above in reverse.

HANDLING

For safety and food hygiene the head and forks must be kept away from floors, whilst in operation keep upright.

MAINTENANCE

Periodic cleaning of the head/forks and handle should be performed with cleaners appropriate for kitchen environment.

PACKAGING

All units are packaged in double wall boxes and glued closed for protection whilst in transit against contamination.

CONSTRUCTION/MATERIAL SPECIFICATIONS

Dimensions: 1606(L) x 325(W) X 250(D) mm

Weight: 1.60kg

Material: Aluminium

Fork Adjustment: 105 to 360mm

Plate Angle Adjustment: 0° to 130°



LONGAR INDUSTRIES

FILTER AND FABRICATIONS FOR A CLEANER ENVIRONMENT

Longar Industries Limited, Unit 25, Glenmore Business Park, Colebrook Way Weyhill Road, Andover, Hampshire SP10 3GZ United Kingdom

T +44 (0)1264 332 993 F +44 (0)1264 332 994 E info@longarind.com W www.longarind.com

As part of our program for continuous improvement, Longar Ltd reserves the right to change specifications without notice. 25-04-2018.

LONGAR™ TYPE 2 & TYPE 3 Baffle Filter Removal Tool

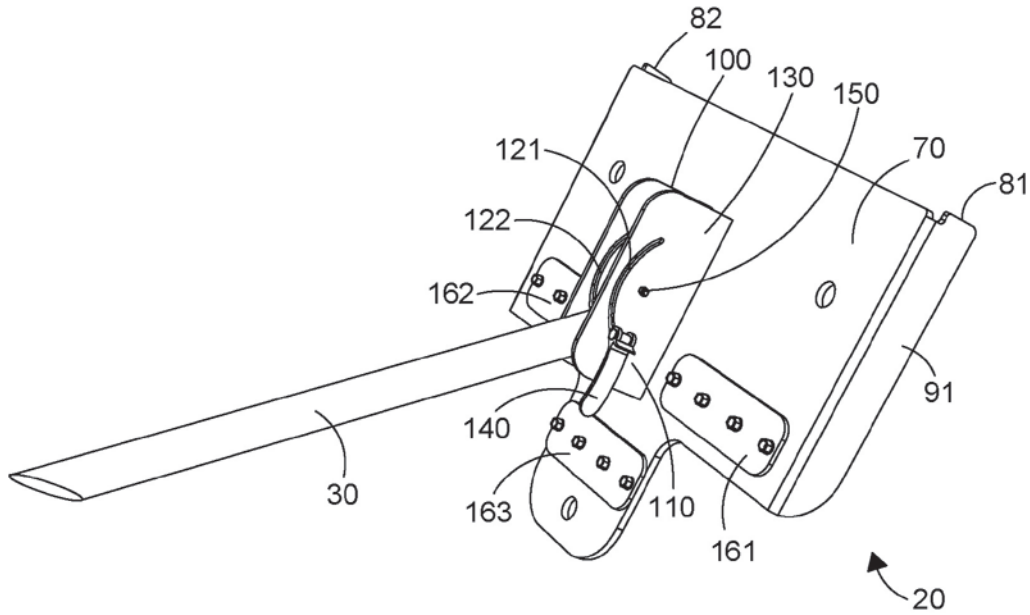


DIAGRAM 1

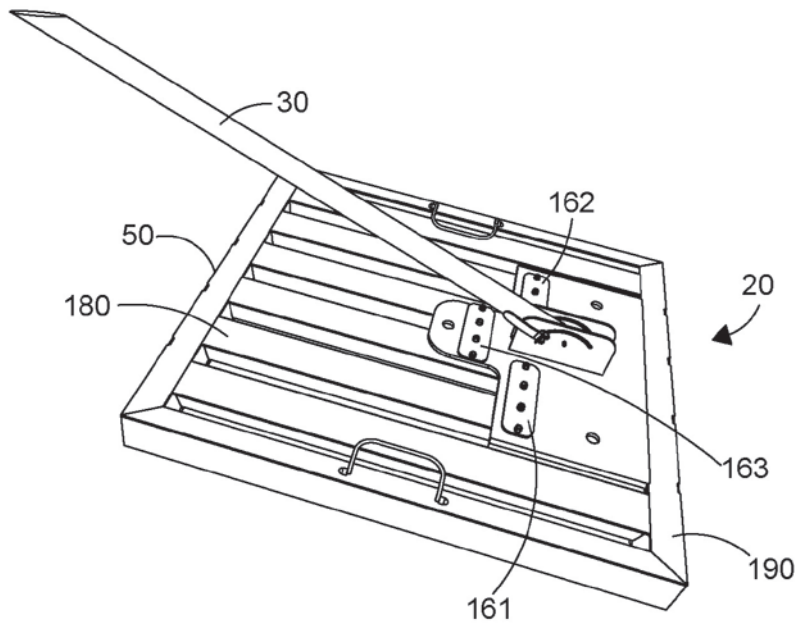


DIAGRAM 2



LONGAR INDUSTRIES

FILTER AND FABRICATIONS FOR A CLEANER ENVIRONMENT

Longar Industries Limited, Unit 25, Glenmore Business Park, Colebrook Way Weyhill Road, Andover, Hampshire SP10 3GZ United Kingdom

T +44 (0)1264 332 993 F +44 (0)1264 332 994 E info@longarind.com W www.longarind.com

As part of our program for continuous improvement, Longar Ltd reserves the right to change specifications without notice. 25-04-2018.